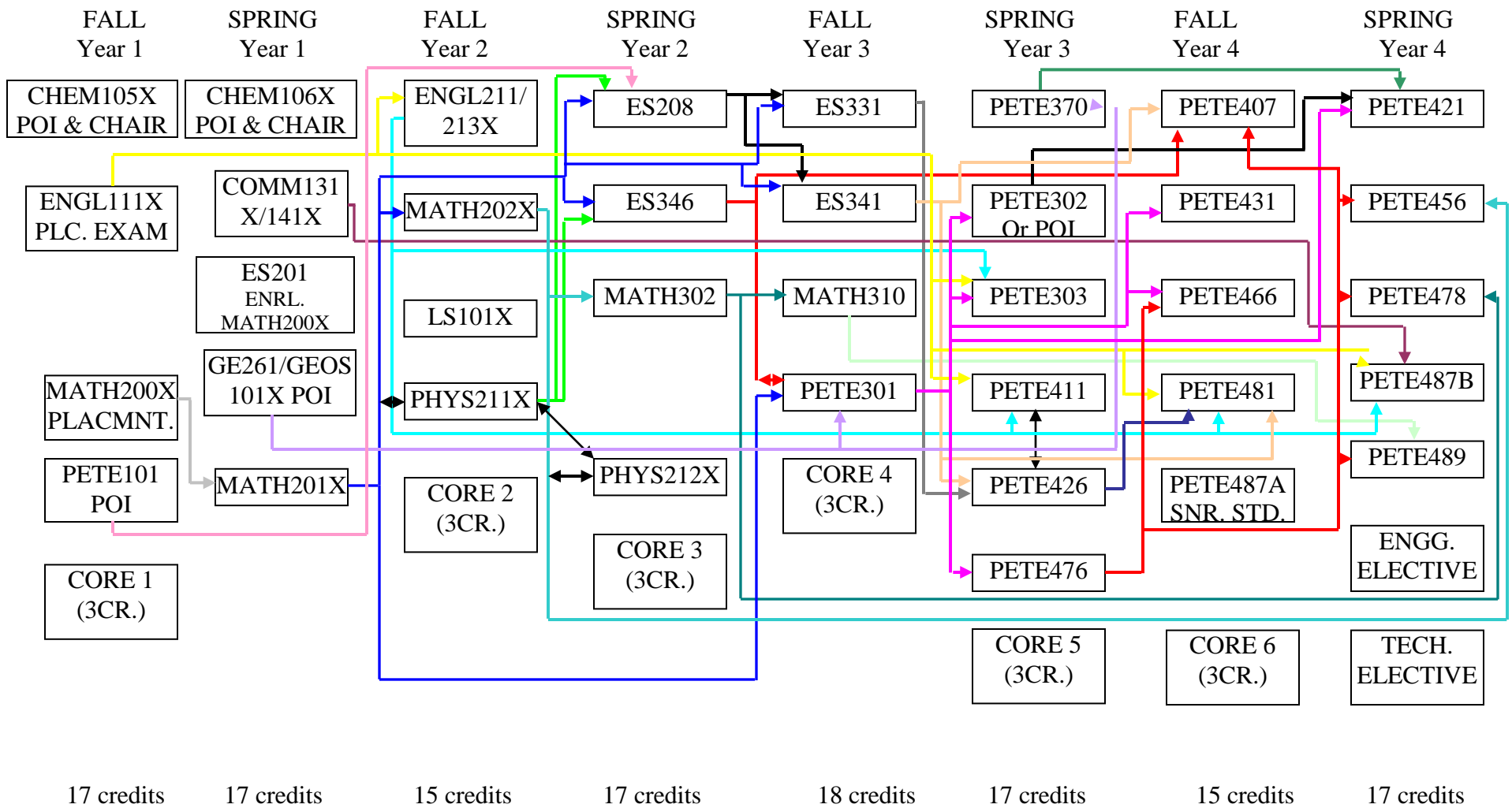


Pre-requisites flowchart for PETE



TOTAL CREDITS REQUIRED = 133

Notes:

PLC. EXAM = placement examination

POI = permission of instructor

Line with arrows on both ends = concurrent enrollment or a co-requisite